

0000

713671

04/28/70

MACH  
NAME  
MODE  
P.No.

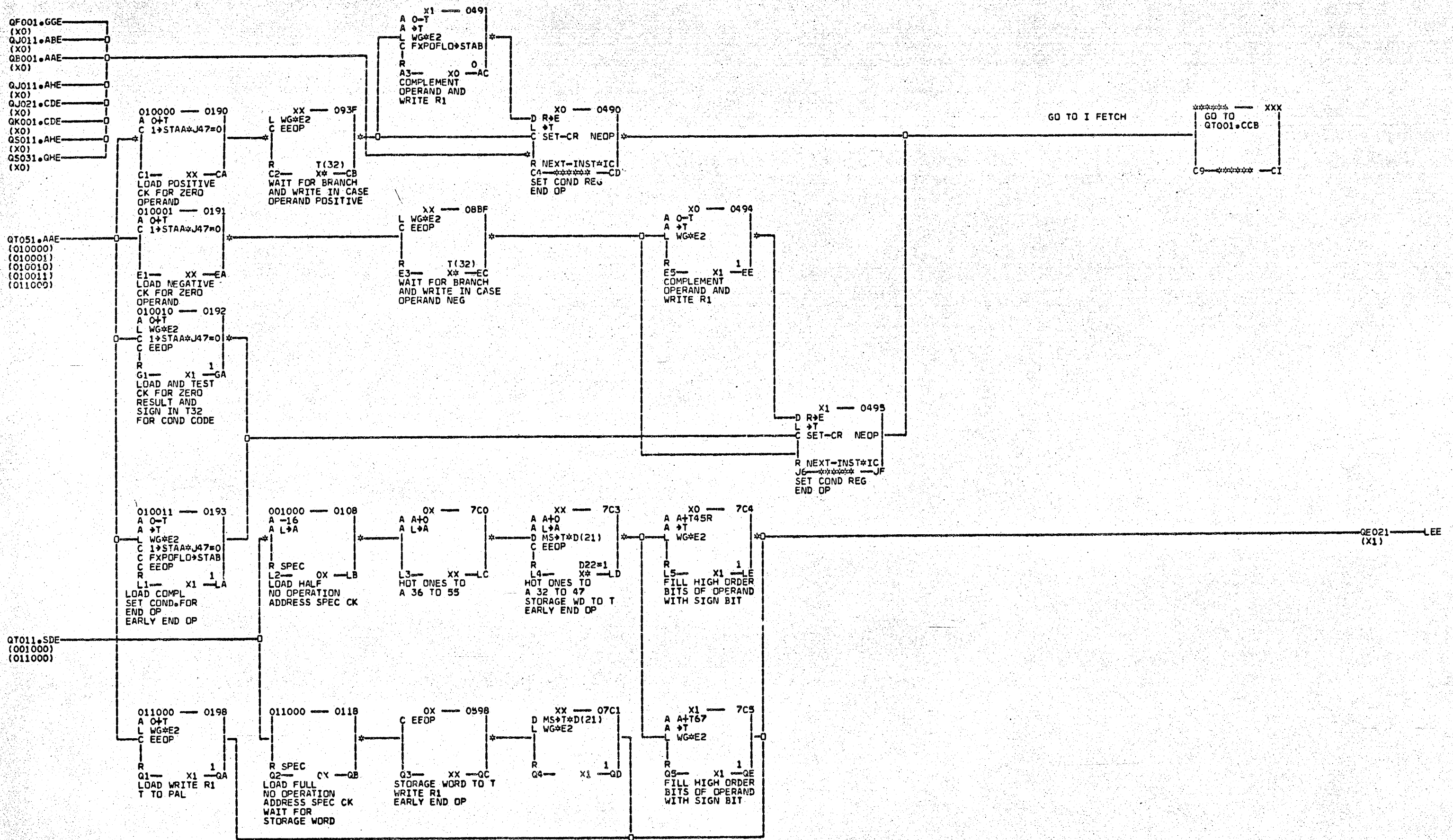
C7201-02  
MANUAL  
2583801

DATE 05/21/70  
LOG 048

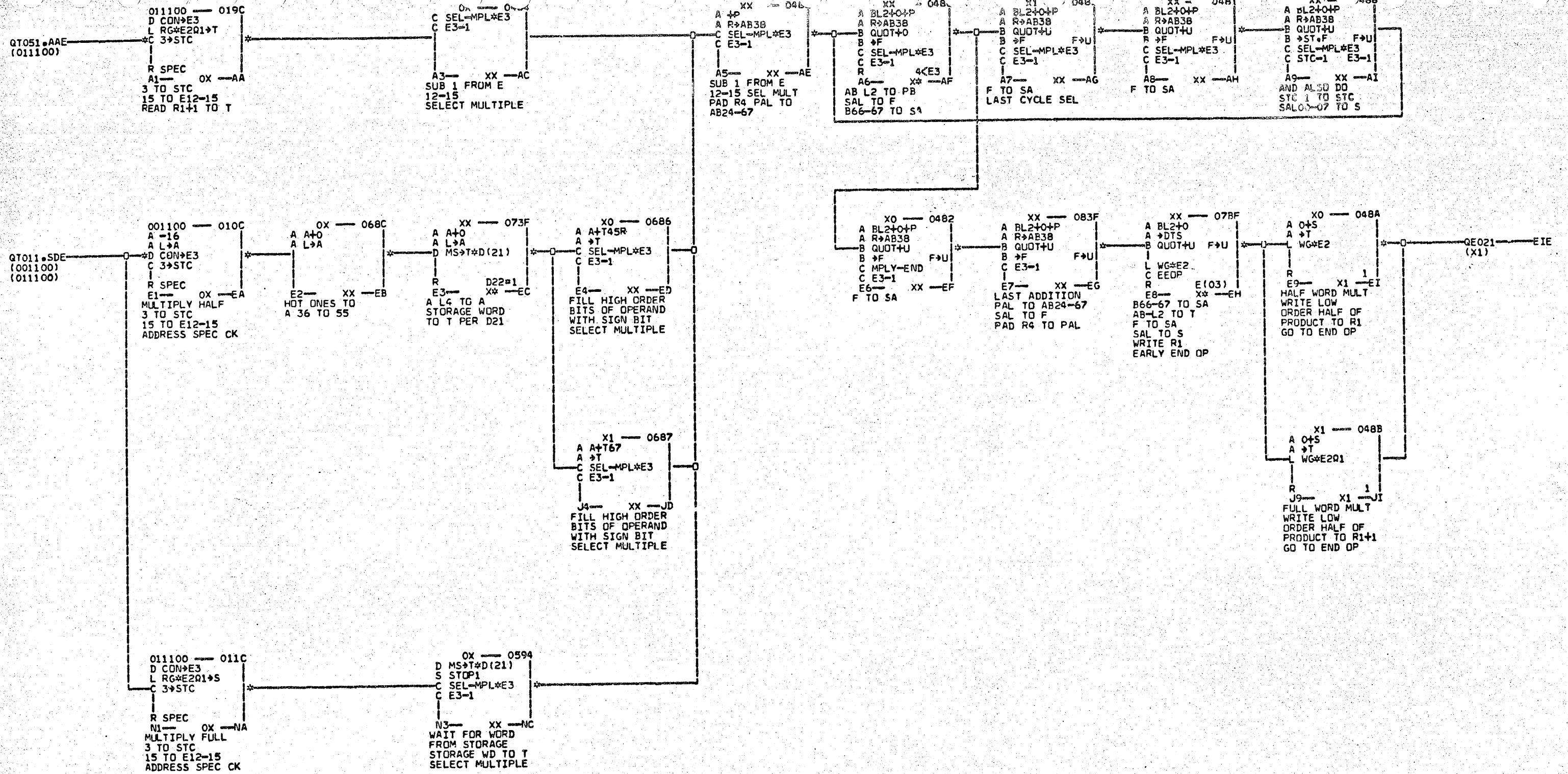
SHEET  
VERSION

1 QB001

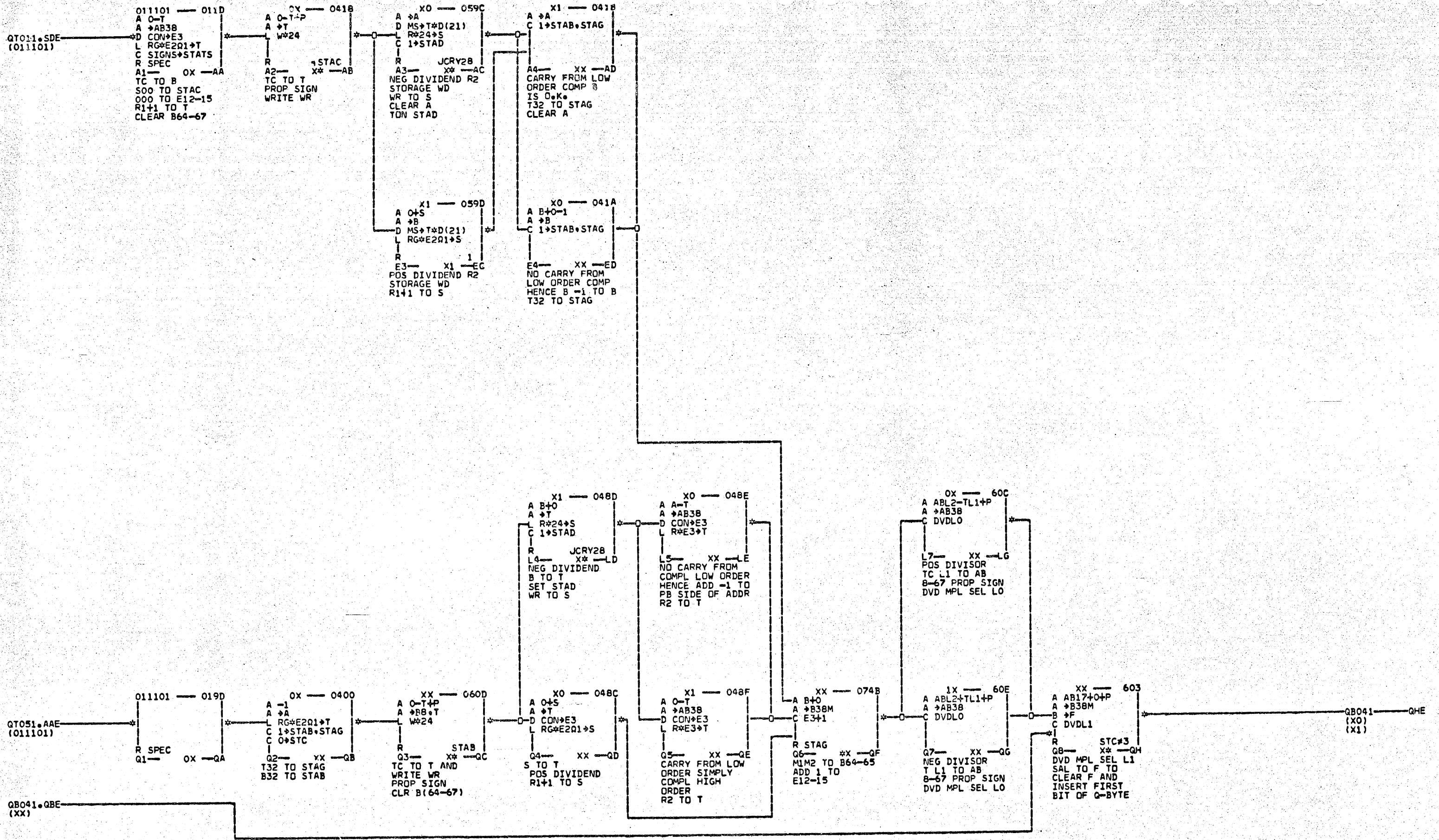
FXP ADD-SUB AND COMPARE  
HALF WORD OPERAND FETCH



QB011



1-N000



713671

04/28/70

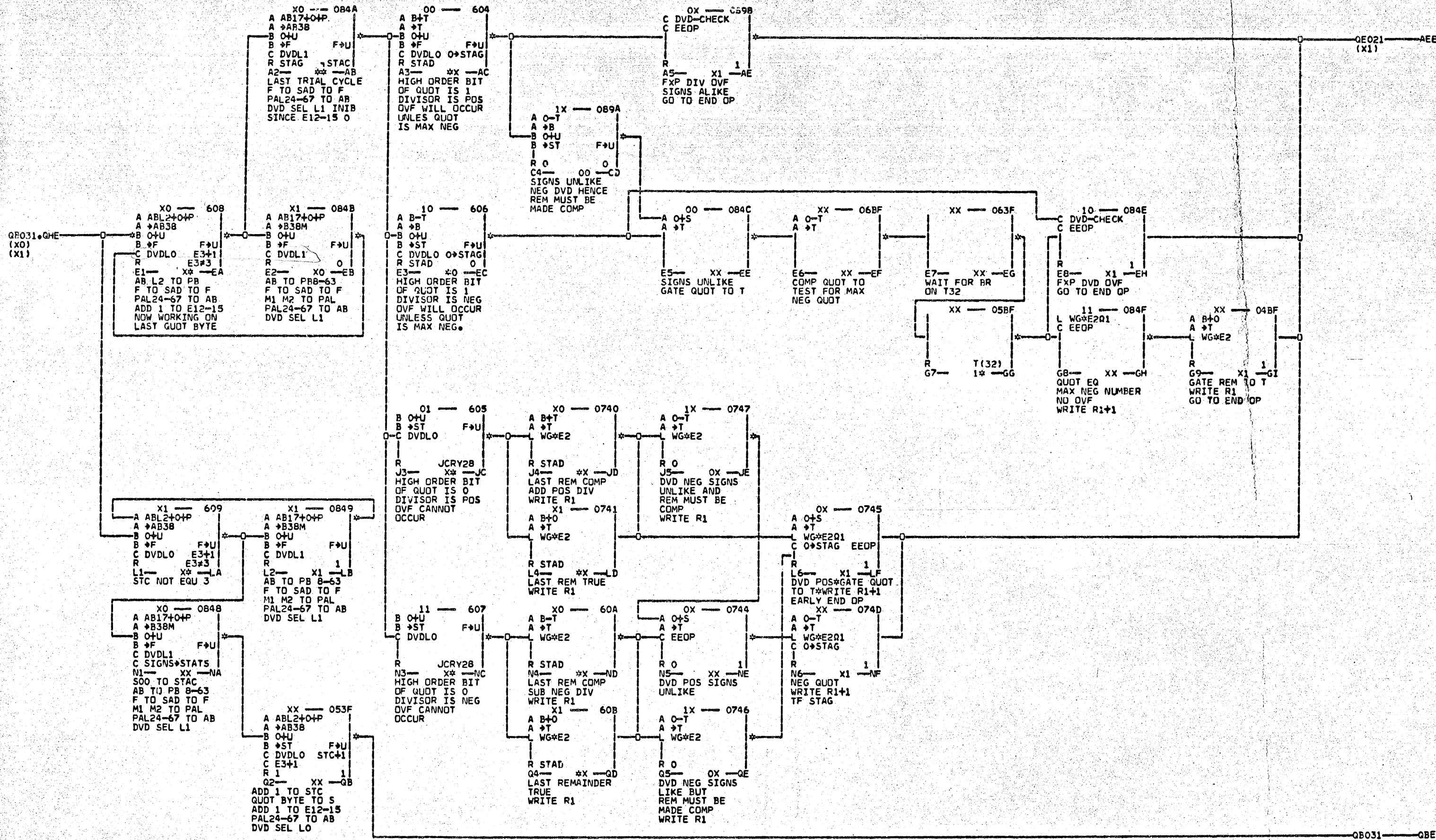
MACH  
NAME  
MODE  
P.No  
IBM CORP.

C7201-02  
MANUAL  
2583904  
SDD

DATE 05/21/70  
LOG 048  
FIXED POINT DVD  
RR AND RX FORMAT

SHEET 1  
VERSION Q8031

3  
3  
3  
1



14000