

Q005.CAE  
(001000)  
(001010)

Q021.QGE  
(X0)

GO TO  
QJ504.AAE

GO TO  
QJ011.JAE

GO TO  
Q001.CCB

GO TO  
Q021.LAE

Q001



001101 --- 08D  
 A O+T  
 A →A+B  
 D D1+E3  
 L RG\*E2Q1+S+T  
 R J(58-63)  
 R SPEC  
 C1 --- \*\*\* --- CA  
 LOGICAL DOUBLE  
 LEFT SHIFT  
 D18-21 TO E12-15  
 BR PER PAL56-63

000 --- 06C0  
 A O+T  
 A L→J49B  
 R RG\*E2+T  
 R  
 C2 --- XX --- CB  
 M•L4+L0  
 SHIFT LOW ORDER  
 32 BITS L4  
 PAL32-63 TO B  
 PAL28-31 TO B

100 --- 06C4  
 A O+T  
 L RG\*E2+T  
 C 1→STAA\*J47=0  
 C EEDP  
 C3 --- XX --- CC  
 O•L4+L0  
 TEST FOR ZERO  
 READ R1 TO T  
 EARLY END OP

XX --- 053B  
 A O+T  
 C O→STAA\*J47=0  
 R  
 C4 --- XO --- CD  
 TEST HIGH ORDER  
 HALF FOR ZERO  
 GO TO END OP

XX --- 06CE  
 A B8+0  
 A L→AB38  
 R RG\*E2+T  
 C5 --- XX --- CE  
 B64-67 L4 TO  
 AB24-67 TO  
 CLEAR B32-62  
 READ R1 TO T

XX --- 04BB  
 A B+TL1+P  
 A →T  
 R RG\*E2Q1+S  
 C 1→STAB\*J2632  
 R 0  
 C6 --- OX --- CF  
 PROP SIGN  
 B63 AND T L1  
 TO T  
 SET STAB ON OV  
 READ R1+1 TO S

001111 --- 08F  
 A O+T  
 A →A+B  
 D D1+E3  
 L RG\*E2Q1+S+T  
 C SIGNS+STATS  
 R J(58-63)  
 R SPEC  
 G1 --- \*\*\* --- GA  
 NON LOG DOUBLE  
 LEFT SHIFT  
 D18-21 TO E12-15  
 SIGN TO STAC  
 BR PER PAL56-63

001 --- 06C1  
 A O+TL1  
 A →J9BB+T  
 L WG\*E2Q1  
 R  
 G2 --- XX --- GB  
 M•L4+L1  
 T L1 TO T  
 PAL28-31 TO  
 B64-67 AND  
 WRITE R1+1

101 --- 06C5  
 A O+TL1  
 A →J9BB+T  
 L WG\*E2Q1  
 C 1→STAA\*J47=0  
 G3 --- XX --- GC  
 O•L4+L1  
 T L1 TO T  
 PAL28-31 TO  
 B64-67 AND  
 WRITE R1+1

XX --- 03BB  
 A B8+0  
 A L→AB38  
 L RG\*E2+T  
 G4 --- XX --- GD  
 B64-67 TO PB  
 PAD L4 TO PAL  
 TO AB24-67  
 READ R1 TO T

XX --- 033B  
 A B+TL1+P  
 A →T  
 C O→STAA\*J47=0  
 C 1→STAB\*J2632  
 R 1  
 G5 --- 1X --- GE  
 T L1 TO PA  
 B TO PB  
 PAL TO T AND  
 SET  
 STAB ON OV

XX --- 02CF  
 A ABL2+0  
 A →T  
 C O→STAA\*J47=0  
 C 1→STAB\*J2632  
 R E3=0  
 G6 --- XX --- GF  
 AB L2 TO T  
 SET STAB ON OV  
 RESET STAA IF  
 RESULT NOT ZERO

OX --- 0050  
 A O+S  
 A L→J49B  
 R  
 G7 --- XX --- GG  
 S L4 TO B32-63  
 PAL28-31 TO  
 B64-67  
 PAL32-63 TO  
 B32-63

XX --- 0051  
 A B8+T+P  
 A L+T  
 L WG\*E2  
 C SAJOS  
 C 1→STAB\*J2632  
 C E3=1  
 R  
 G8 --- E3#1 --- GH  
 T L4 TO T  
 SET STAB ON OV  
 DECRET E12-15  
 WRITE R1  
 INSERT SIGN

XO --- 0054  
 A B+0  
 A →T  
 L WG\*E2Q1  
 C O→STAA\*J47=0  
 C EEDP  
 R  
 G9 --- XO --- GI  
 B TO T AND  
 RESET STAA IF  
 RESULT NOT ZERO  
 WRITE R1+1  
 EARLY END OP

\*\*\* --- XXX  
 FROM  
 QJ001•LCE  
 L1 --- \*\*\* --- L1

010 --- 06C2  
 A O+T  
 A →AB38  
 R  
 L2 --- XX --- LB  
 M•L4+L2  
 T TO B

110 --- 06C6  
 A O+T  
 A →AB38  
 R  
 L3 --- XX --- LC  
 O•L4+L2  
 T TO B

XX --- 06CB  
 A ABL2+0  
 A →J9BB+T  
 L WG\*E2Q1  
 C 1→STAA\*J47=0  
 L4 --- XX --- LD  
 B L2 TO T  
 PAL28-31 TO  
 B64-67  
 WRITE R1+1

XX --- 003B  
 A ABL2+0  
 A →BB  
 L RG\*E2+T  
 L5 --- XX --- LE  
 AB L2 TO PAL  
 PAL28-31 TO  
 B64-67  
 READ R1 TO T

XX --- 093A  
 A B8+T+P  
 A →AB38  
 L RG\*E2Q1+S  
 R  
 L6 --- XX --- LF  
 B64-67 TO PB  
 PROP. SIGN  
 T TO PA AND  
 PAL TO AB24-67  
 READ R1+1 TO T

1X --- 0052  
 L WG\*E2  
 C RSLT-SIGN→LS  
 C EEDP  
 R  
 L7 --- XO --- LG  
 INSERT ORIGINAL  
 SIGN AND WRITE  
 R1  
 EARLY END OP

X1 --- 0055  
 A B+0  
 A L→J49B  
 R  
 L9 --- XX --- LI  
 B L4 TO B32-63  
 PAL 28-31 TO  
 B64-67  
 PAL32-63 TO  
 B32-63

011 --- 06C3  
 A O+TL1  
 A →AB38  
 R  
 Q2 --- XX --- QB  
 M•L4+L3  
 T L1 TO AB

111 --- 06C7  
 A O+TL1  
 A →AB38  
 R  
 Q3 --- XX --- QC  
 O•L4+L3  
 T L1 TO AB

XX --- 02CC  
 A ABL2+0  
 A →J9BB+T  
 L WG\*E2Q1  
 C 1→STAA\*J47=0  
 Q4 --- XX --- QD  
 AB L2 TO T  
 WRITE R1+1

XX --- 0386  
 A →AB17  
 L RG\*E2+T  
 Q5 --- XX --- QE  
 CLEAR AB8-63  
 READ R1 TO T

XX --- 06CA  
 A ABL2+TL1+P  
 A →AB38  
 L RG\*E2Q1+S  
 C 1→STAB\*J2632  
 R  
 Q6 --- XX --- QF  
 PROP SIGN AND  
 T L1 TO AB24-67  
 AB L2 TO AB  
 SET STAB ON OV  
 READ R1+1 TO S

00001

713671

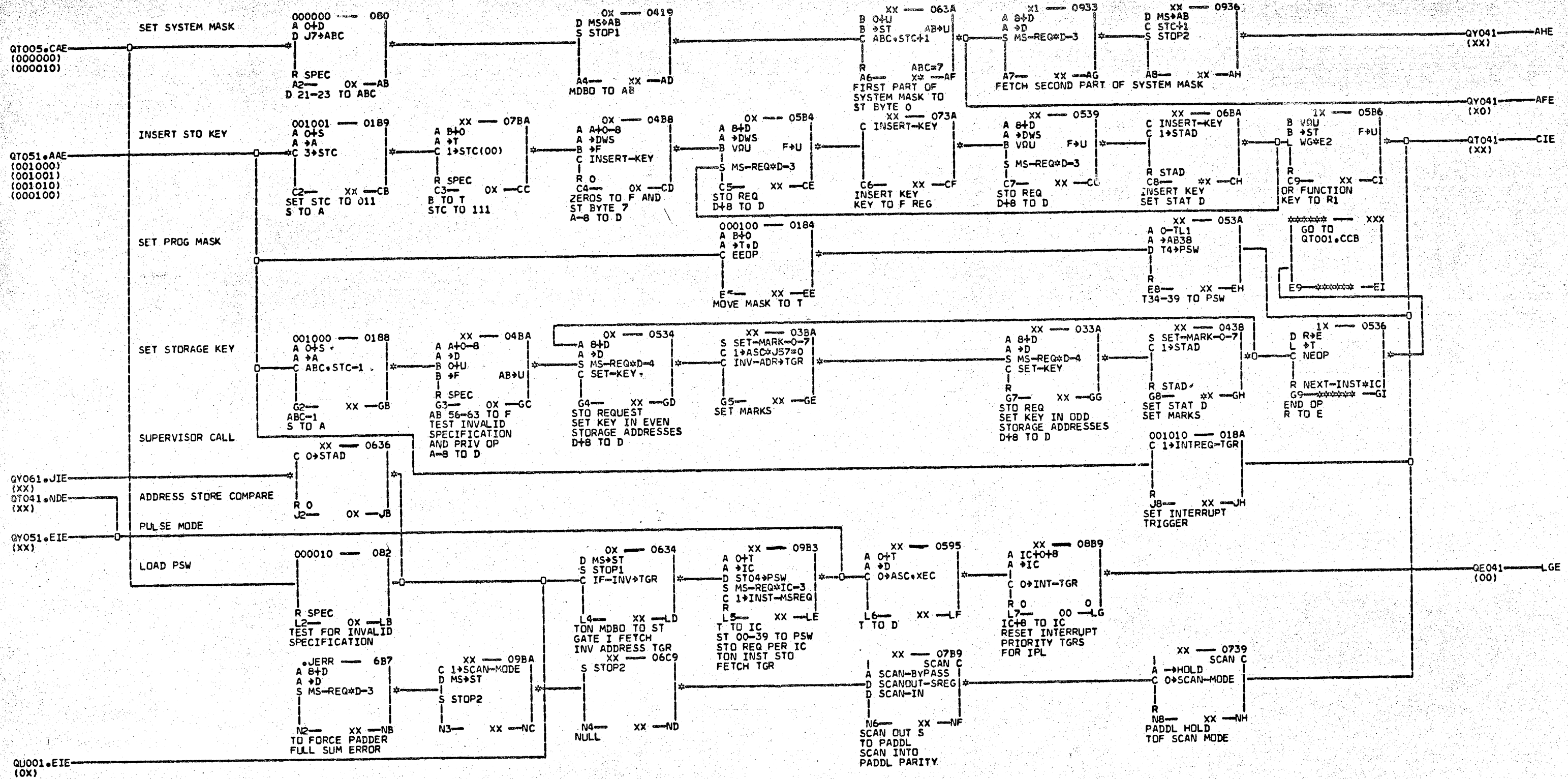
04/28/70

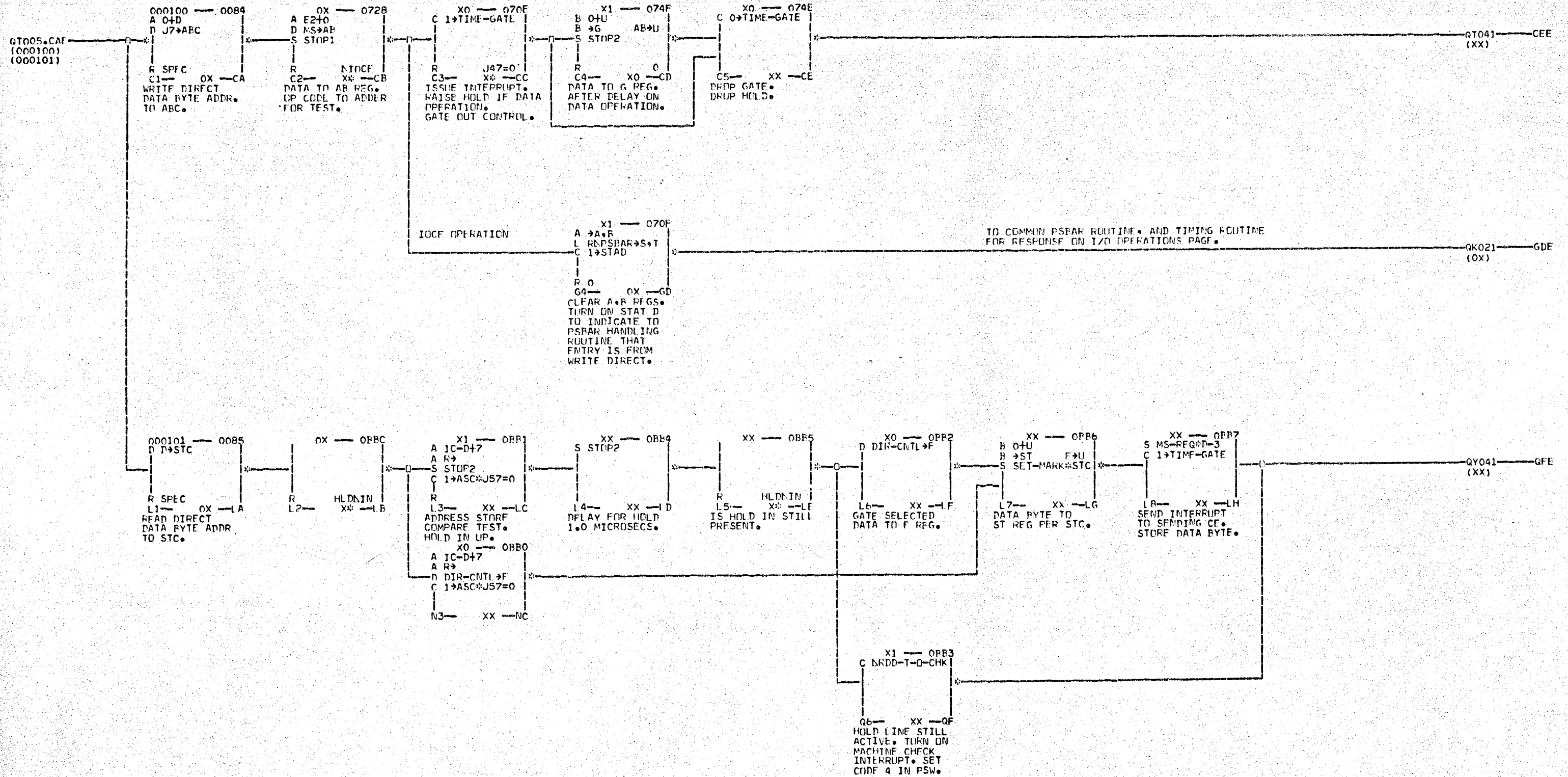
MACH  
 NAME  
 MODE  
 P.No.  
 IBM CORP.

C7201-02  
 MANUAL  
 2583824  
 SDD

DATE 05/21/70  
 LOG 048  
 LOG AND NON LOG  
 DOUBLE LEFT SHIFT

SHEET 1 QJ021  
 VERSION





713671  
714944

04/28/70  
05/22/70

MACH  
NAME  
MODE  
P.N.  
IBM CORP.

C7201-02  
MANUAL  
2583826  
SDD

DATE 06/25/70  
LOG 246

SHEET 1 QJ041  
VERSION

READ DIRECT AND  
WRITE DIRECT INSTRUCTIONS

0001

\*\*\* --- XXX  
 FROM  
 QJ001.CBE  
 A1 --- \*\*\* --- AA

000 --- 02C0  
 A O+T+P  
 A L+T  
 L WG+E2  
 C SAJOS  
 C 1+STAB\*J2632  
 C E3-1  
 R E3#1  
 A3 --- X\* --- AC  
 L4 T TO T  
 CK QVF INSERT  
 SIGN WRITE R1  
 BR PER E12-15

100 --- 02C4  
 A O+T  
 C 1+STAB\*J47=0  
 C EEO  
 A5 --- X0 --- AE  
 NO SHIFT  
 CK FOR ZERO  
 RESULT

X0 --- 02C8  
 A ABL2+0  
 A L+T  
 L WG+E2  
 C SAJOS  
 C 1+STAB\*J2632  
 C EEO  
 R E3#1  
 A7 --- X0 --- AG  
 L2 AB TO T  
 CK QVF INSERT  
 SIGN WRITE R1  
 GO TO END OP  
 EARLY END OP

QJ005.CAE  
 (001001)  
 (001011)

001001 --- 0089  
 A O+T  
 A +AB38  
 D D1+E3  
 R J(58-63)  
 E1 --- \*\*\* --- EA  
 SINGLE LEFT  
 SHIFT LOGICAL  
 D18-21 TO  
 E12-15, T TO B  
 CLEAR B64-67

001 --- 02C1  
 A O+TL1+P  
 A L+T  
 L WG+E2  
 C SAJOS  
 C 1+STAB\*J2632  
 C E3-1  
 R E3#1  
 E3 --- X\* --- EC  
 L5 INSERT SIGN  
 AND CK QVF IS  
 INHIBITED FOR  
 ALL LOGICAL

101 --- 02C5  
 A O+TL1+P  
 A L+T  
 L WG+E2  
 C SAJOS  
 C 1+STAB\*J2632  
 C EEO  
 R E5 --- X0 --- EE  
 L1 T TO T CK  
 QVF AND INSERT  
 SIGN WRITE R1  
 GO TO END OP  
 EARLY END OP

X1 --- 02C9  
 A ABL2+0  
 A L+T  
 L WG+E2  
 C SAJOS  
 C 1+STAB\*J2632  
 C E3-1  
 R E7 --- X\* --- EG  
 L6 AB L2 L4  
 TO T CK QVF  
 INSERT SIGN  
 WRITE R1

001011 --- 008B  
 A O+T+P  
 A +AB38  
 D D1+E3  
 C SIGNS+STATS  
 R J(58-63)  
 J1 --- \*\*\* --- JA  
 SINGLE LEFT  
 SHIFT NON LOG  
 D18-21 TO  
 E12-15, T TO B  
 CLEAR B64-67

010 --- 02C2  
 A ABL2+0  
 A L+T  
 L WG+E2  
 C SAJOS  
 C 1+STAB\*J2632  
 C E3-1  
 R E3#1  
 J3 --- X\* --- JC  
 L6 AB L2 L4 TO  
 T CK QVF INSERT  
 SIGN WRITE R1

110 --- 02C6  
 A ABL2+0  
 A L+T  
 L WG+E2  
 C SAJOS  
 C 1+STAB\*J2632  
 C EEO  
 R J5 --- X0 --- JE  
 L2 AB TO T  
 CHECK QVF INSERT  
 SIGN  
 GO TO END OP  
 EARLY END OP

X0 --- 02CA  
 D R+E  
 L +T  
 C SET-CR NEOP  
 R NEXT-INST\*IC  
 J7 --- \*\*\* --- JG  
 END OP  
 SET COND REG  
 FUNCTION BRANCH

\*\*\*\*\* --- XXX  
 GO TO  
 QJ001.CCB  
 J9 --- \*\*\*\*\* --- JI

011 --- 02C3  
 A O+TL1+P  
 A L+AB38  
 C 1+STAB\*J2632  
 C E3-1  
 R E3#1  
 N3 --- X\* --- NC  
 L5 T TO T  
 CK QVF

111 --- 02C7  
 A O+TL1+P  
 A +AB38  
 C 1+STAB\*J2632  
 R 1  
 N5 --- 110 --- NE  
 L1 T TO B  
 CK QVF

X1 --- 02CB  
 A O+T+P  
 A L+T  
 L WG+E2  
 C SAJOS  
 C 1+STAB\*J2632  
 C E3-1  
 R N7 --- X\* --- NG  
 L4 T TO T  
 CK QVF INSERT  
 SIGN WRITE

40010