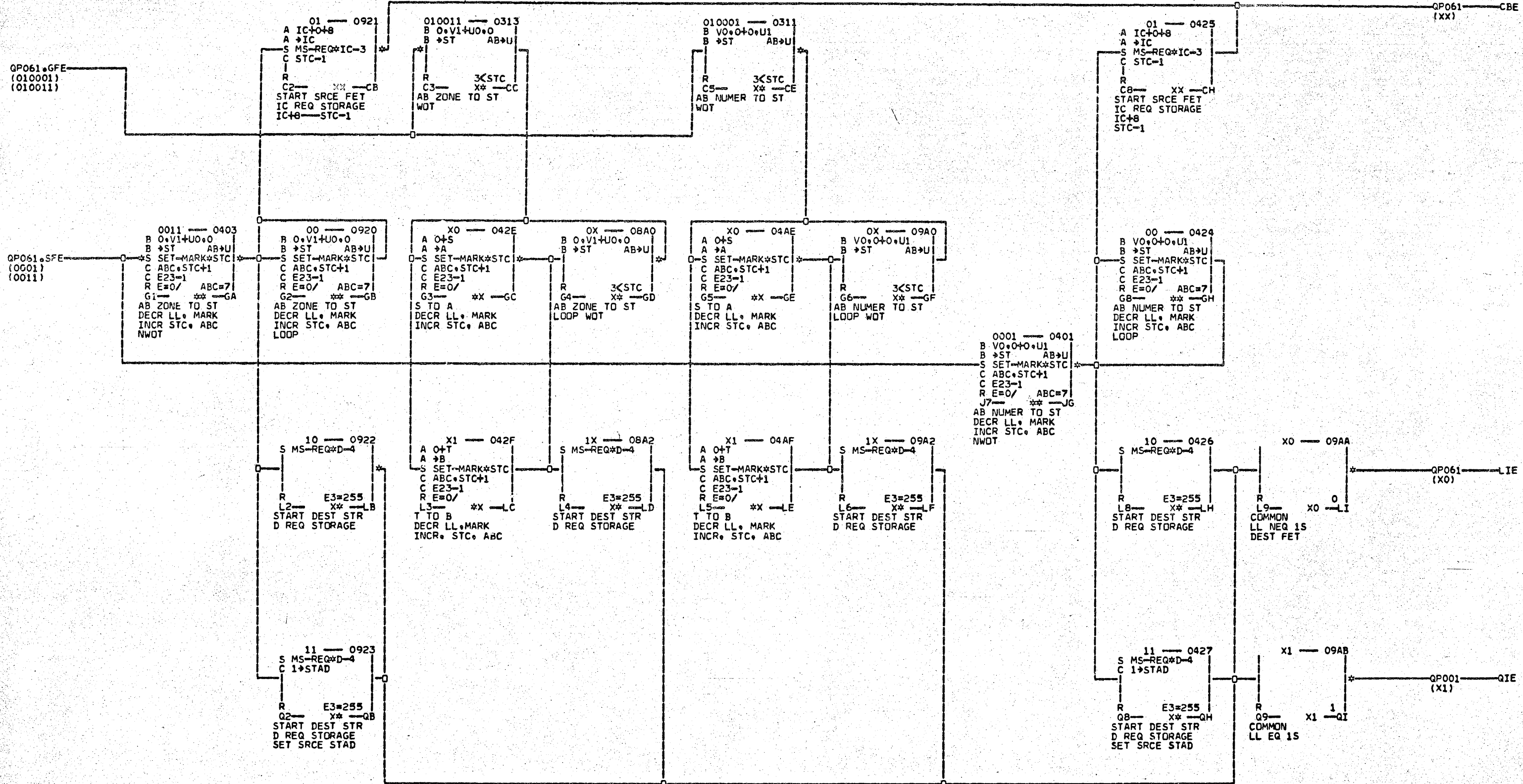


0001

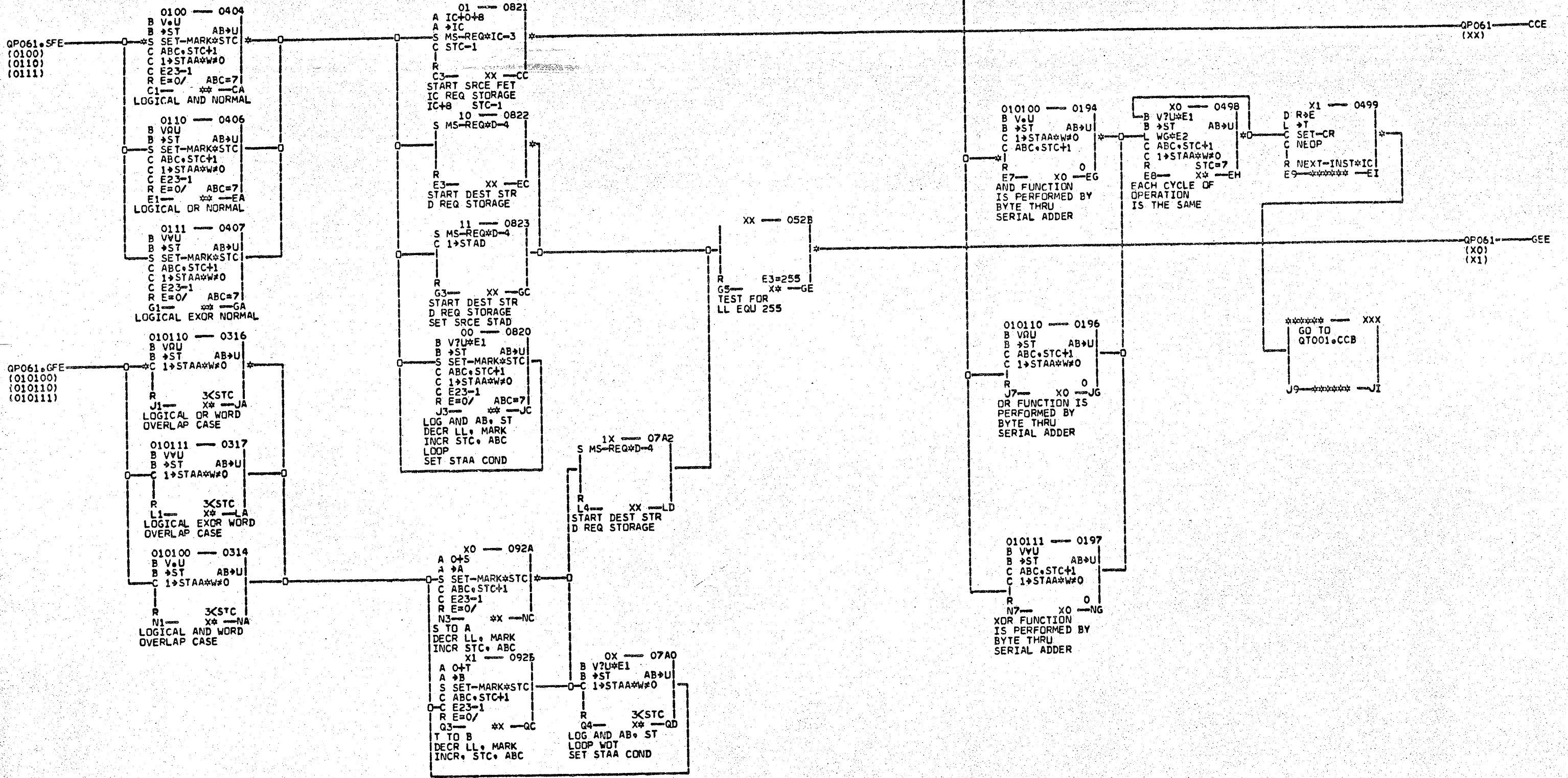


QP061.GFE  
(010001)  
(010011)

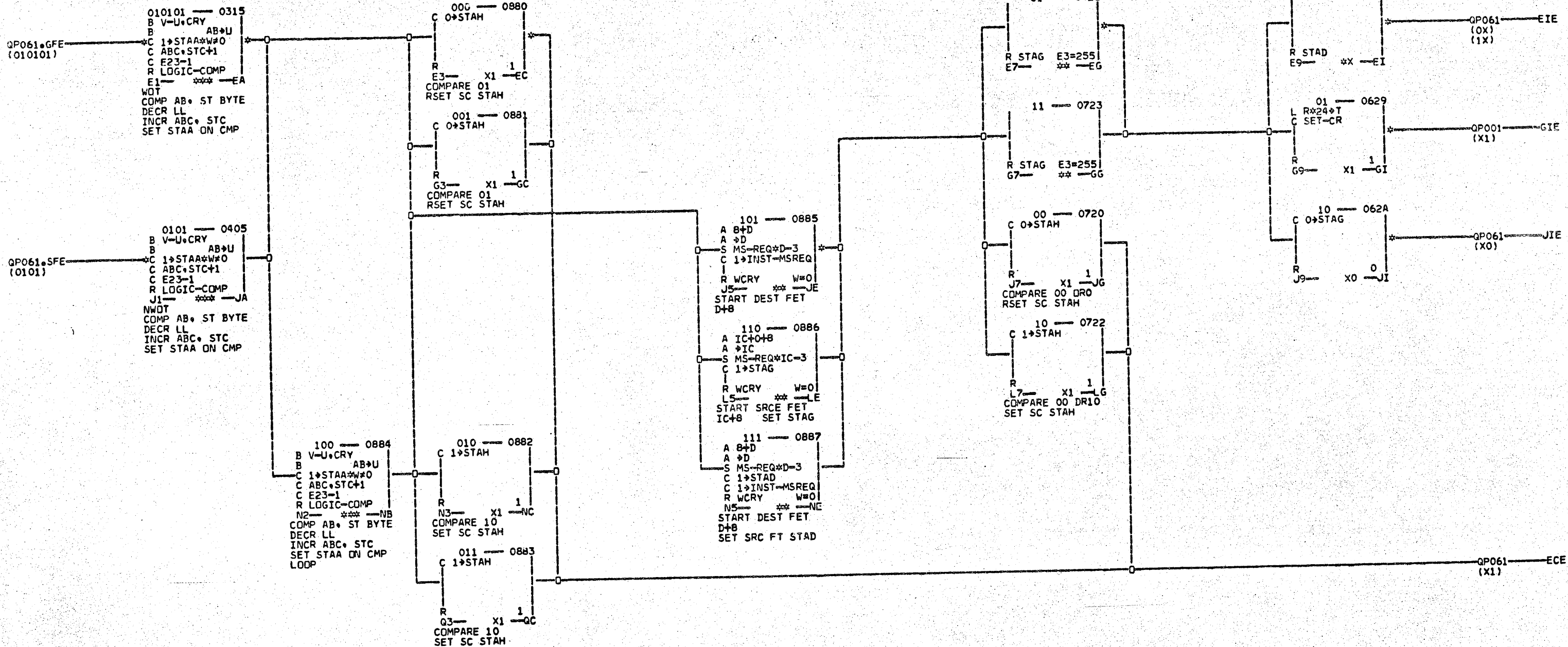
QP061.SFE  
(0001)  
(0011)

11000

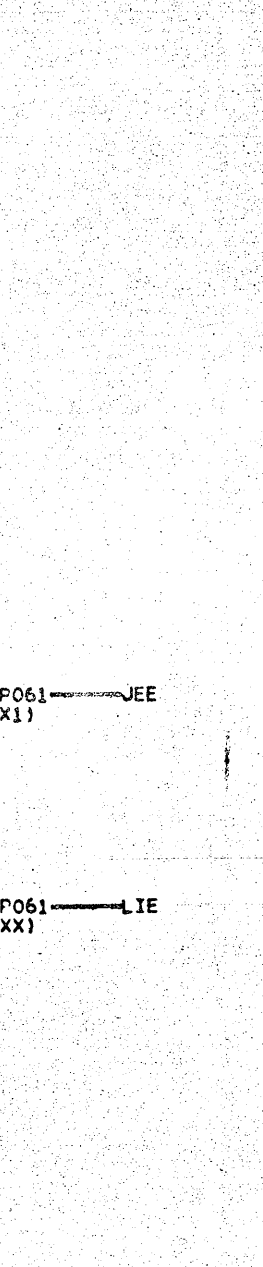
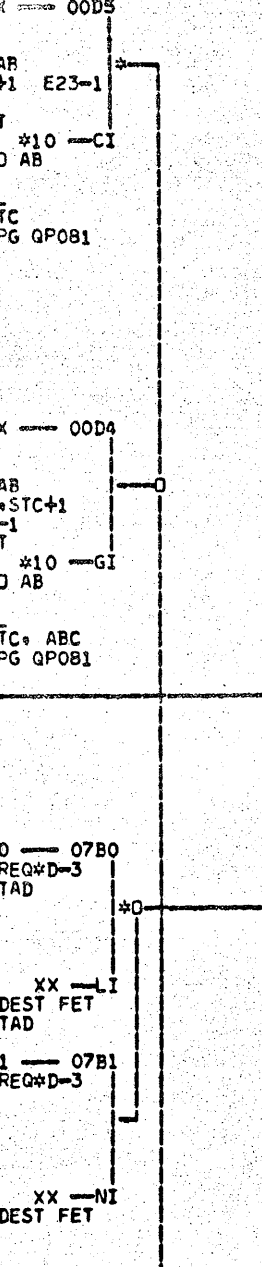
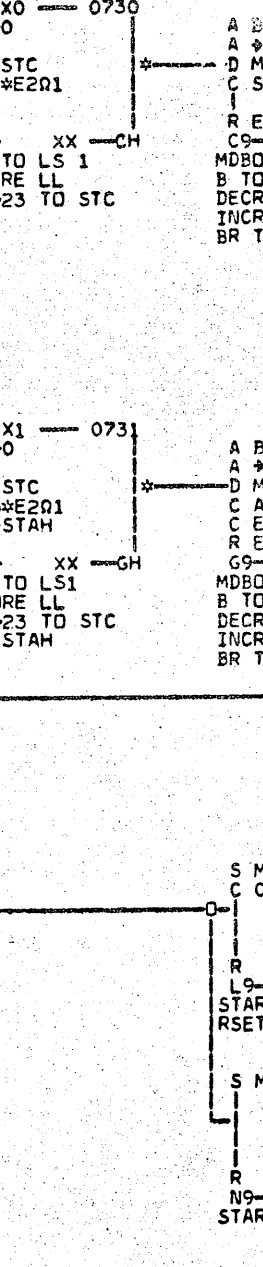
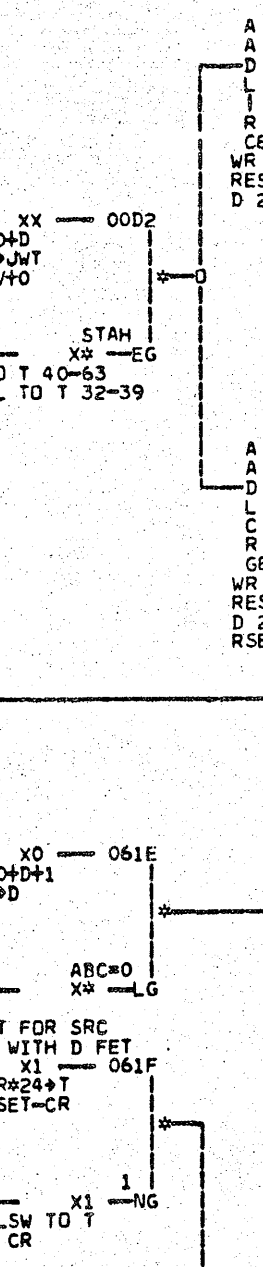
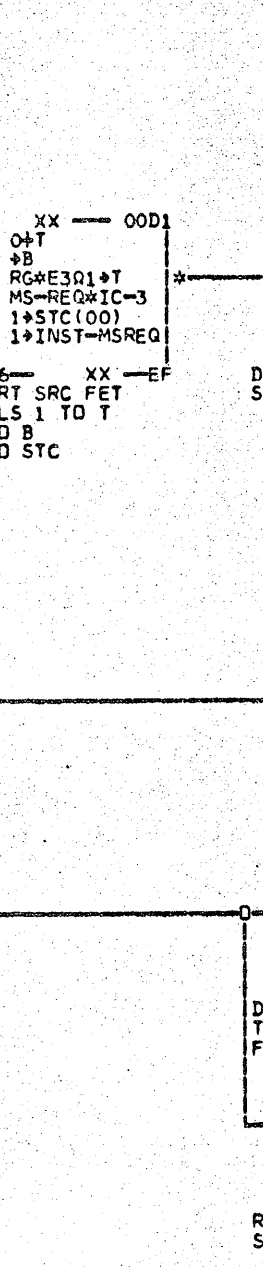
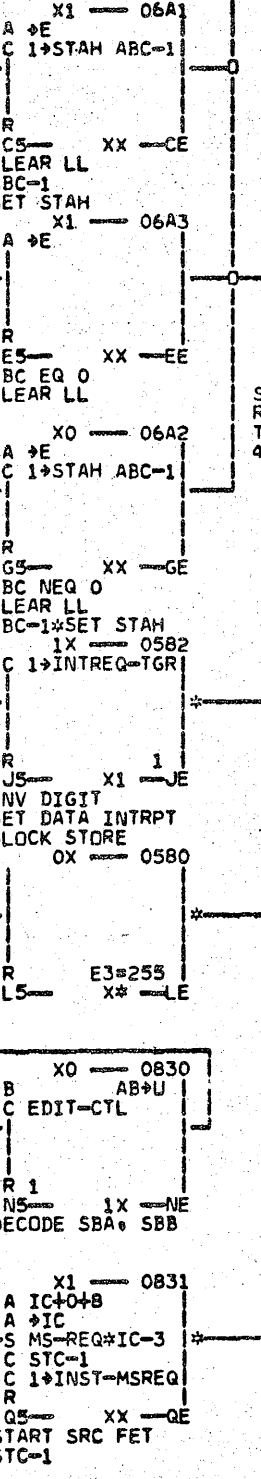
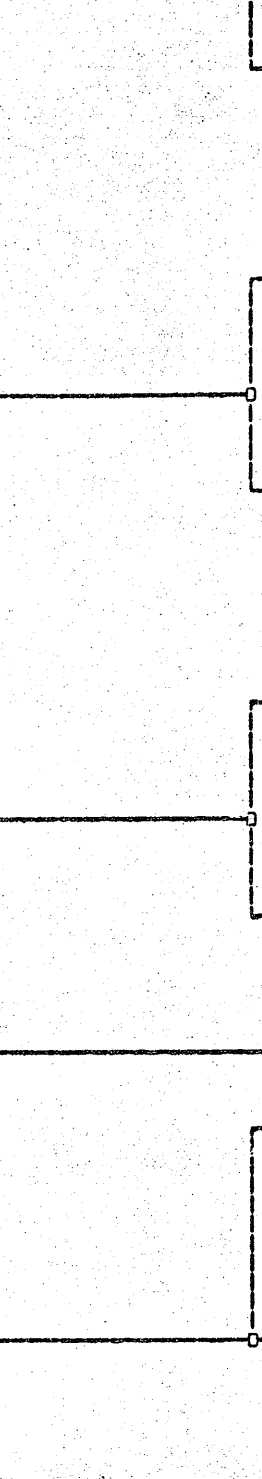
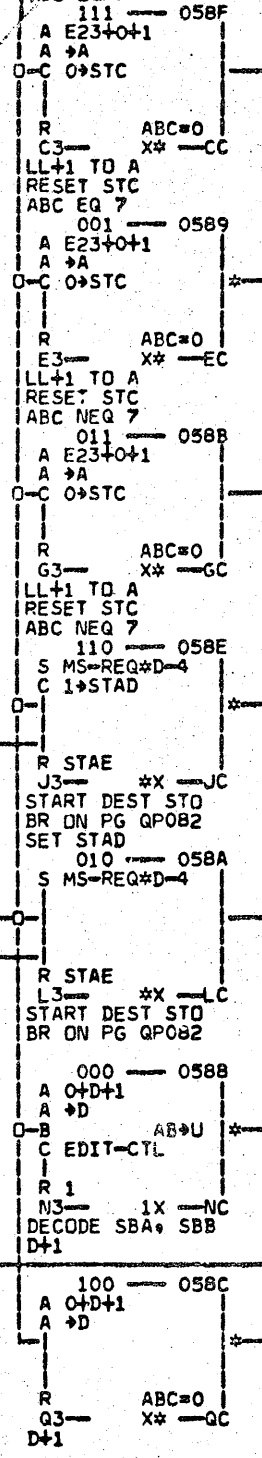
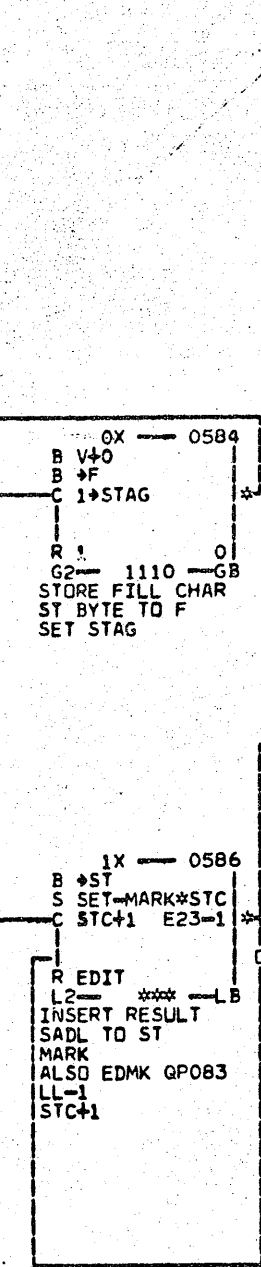
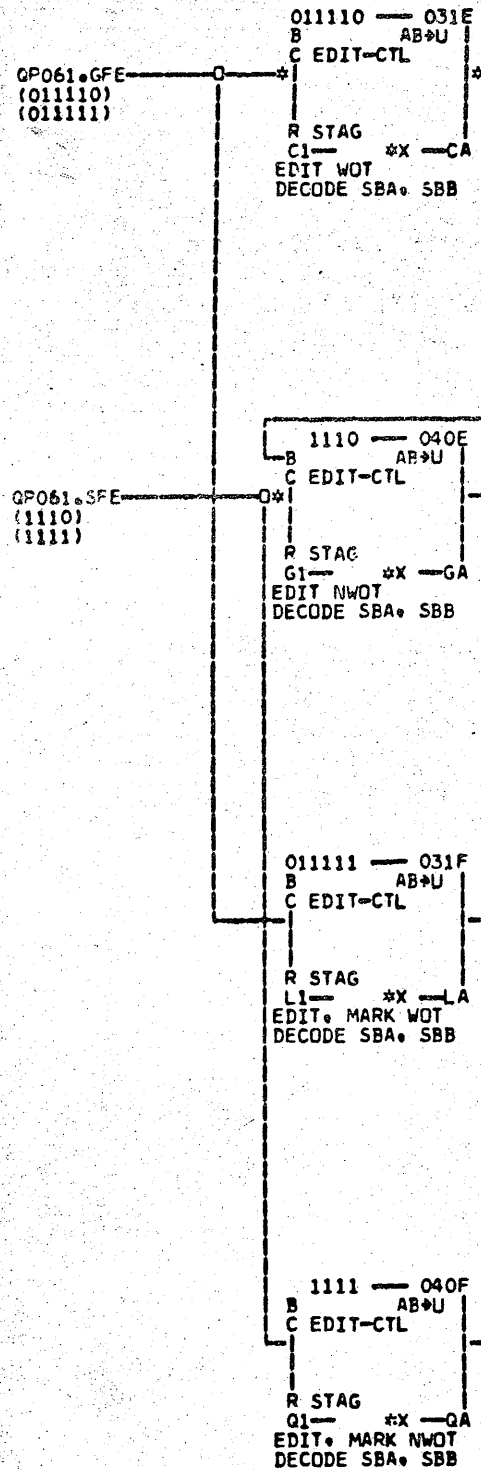
QF001.JCE  
(010100)  
(010110)  
(010111)  
QT051.AAE  
(010100)  
(010110)  
(010111)



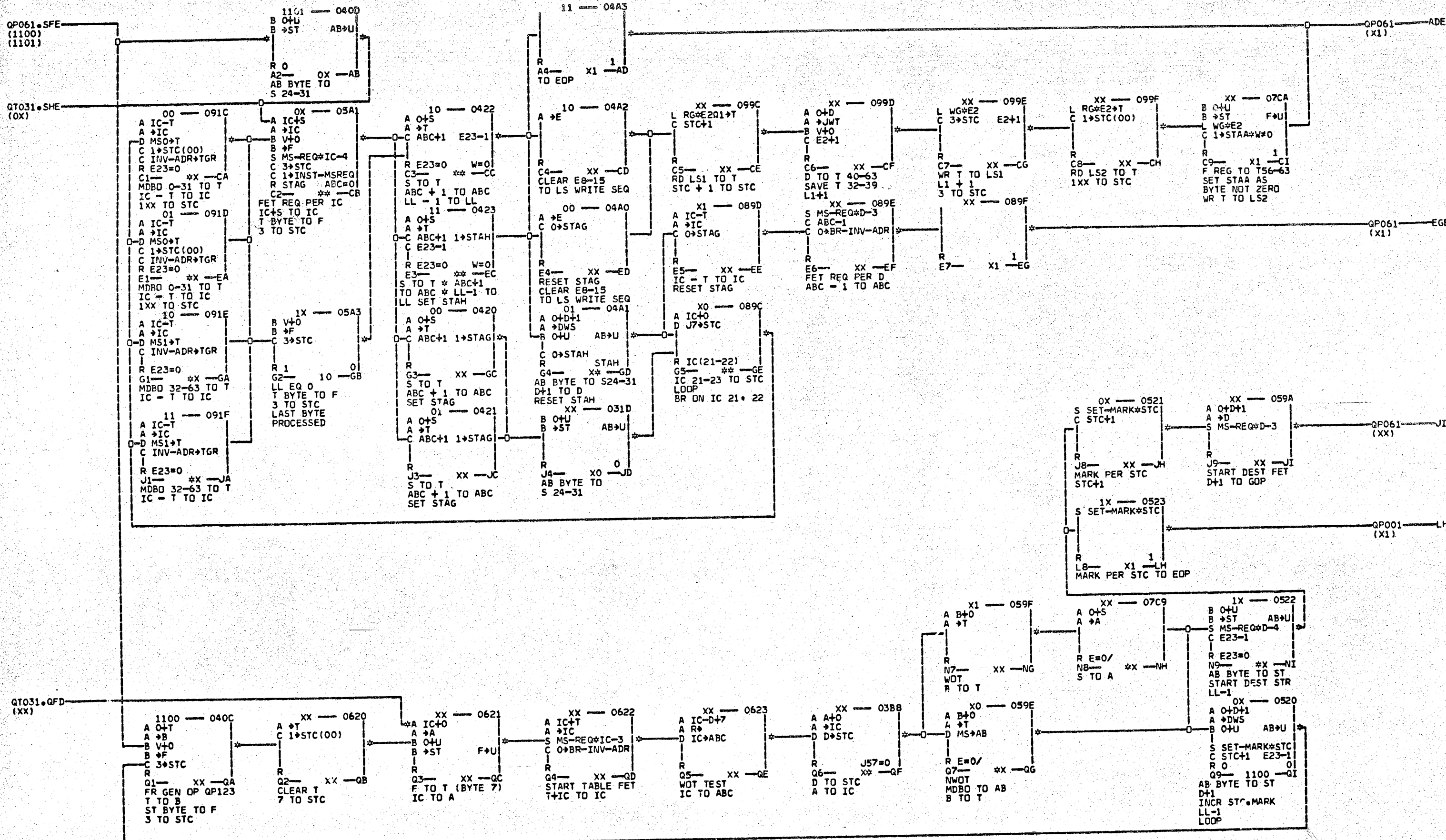
02000  
1

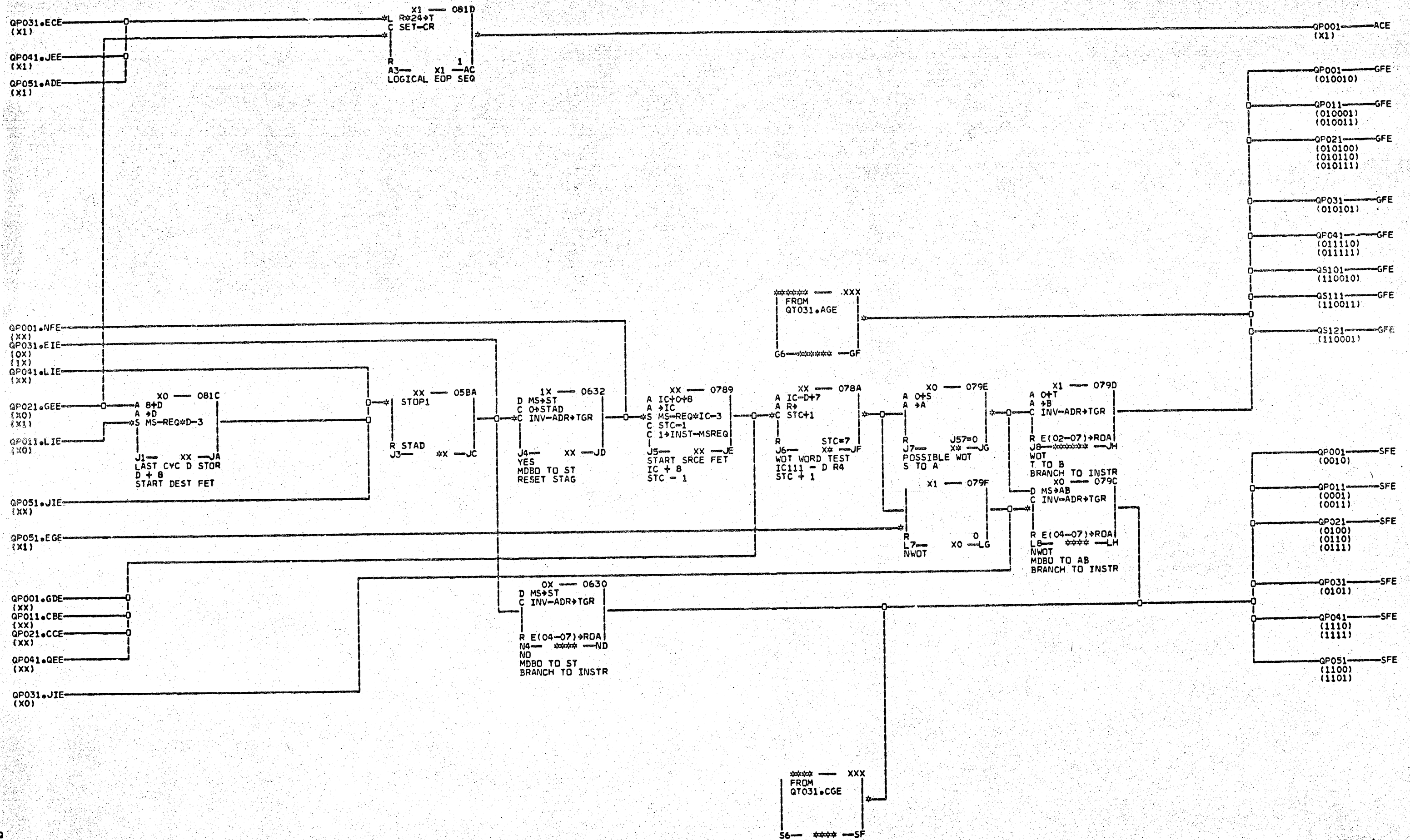


1-UNOPD



0001





Q6061

713671

04/28/70

MACH  
NAME  
MODE  
P.N.  
IBM CORP.

C7201-02  
MANUAL  
2583837  
SDD

DATE 05/21/70  
LOG 048  
LOGICAL GEN OPS

SHEET 1  
VERSION QP061